

RCA

Wireless

Headphones

with 900 MHz Transmitter

Radio Frequency

900

MHz



Freedom From Wires

listen **anywhere** in your home

WHP 150

Transmits Stereo Signal

UP TO
125
FEET

Even Outside Your Home

INTRODUCTION

The 900 MHz stereo wireless headphone system uses latest wireless technology that enables you to enjoy music and TV sound anywhere inside or outside your home. You can simply connect the system to any sound source such as CD, TV, VCR, Hi-Fi and radio. It is also perfect for usage in class rooms, hospitals, meetings, churches, as a hearing aid, and for the purpose of language translation.

FEATURES

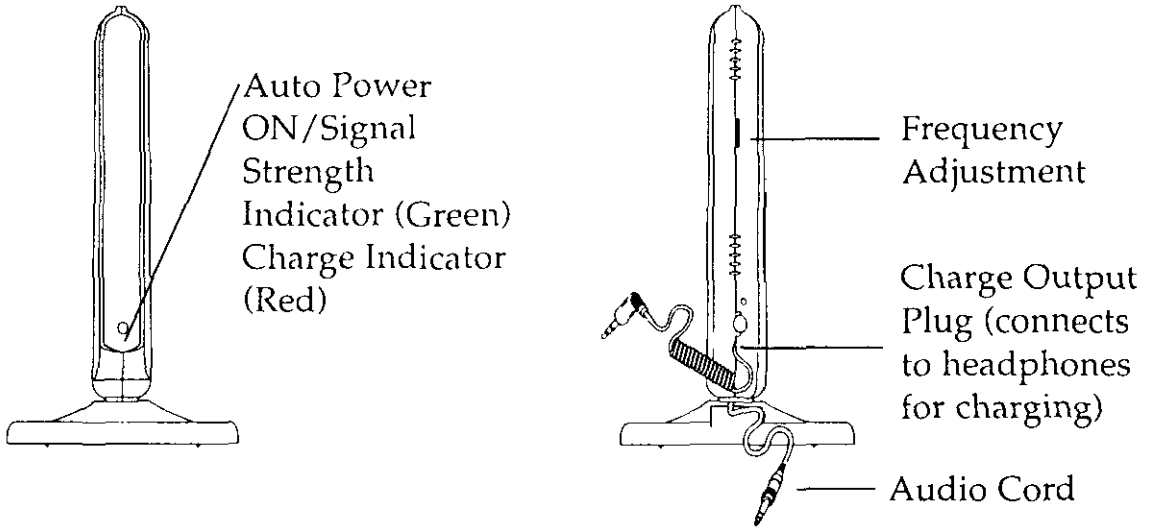
- 900 MHz Radio Frequency (RF) technology
- RF technology lets you roam freely throughout your home
- Operating distance up to 125 ft.
- No line-of-sight limitations
- Built-in charger in the transmitter
- Virtually interference free stereo quality
- Automatic Level Control and auto ON/OFF control.

HEADSET SAFETY

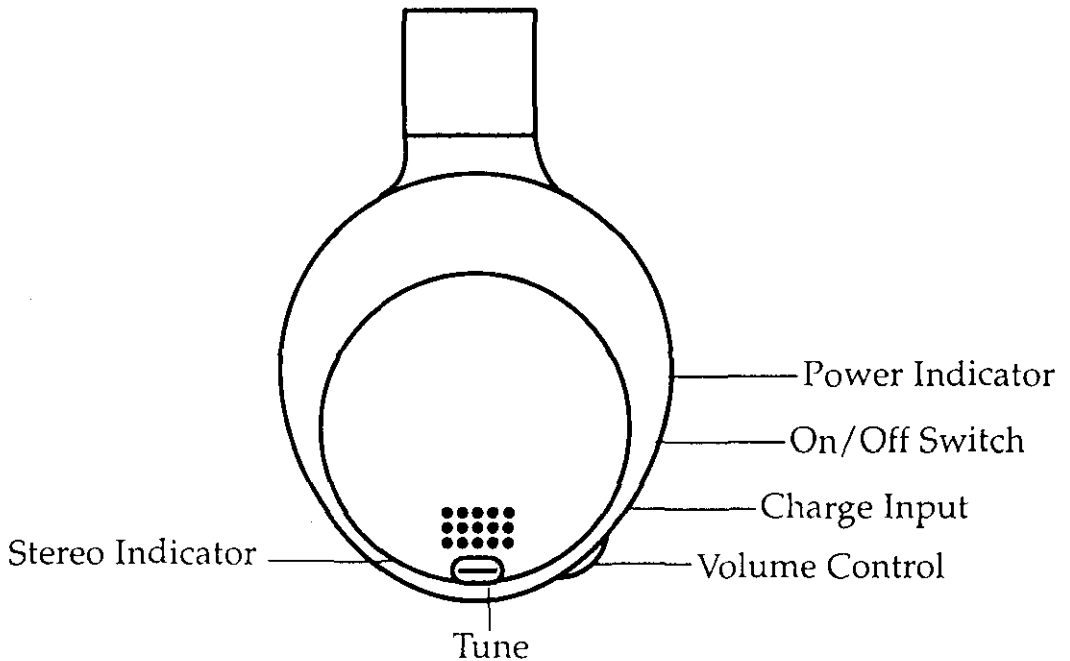
- Do not play your headset at a high volume. Hearing experts advise against continuous extended play.
- If you experience a ringing in your ears, reduce the volume or discontinue use.
- Make sure the volume level of the headphone is set at a comfortable listening level *before* placing it in position over your ears.

SYSTEM COMPONENTS

RADIO TRANSMITTER

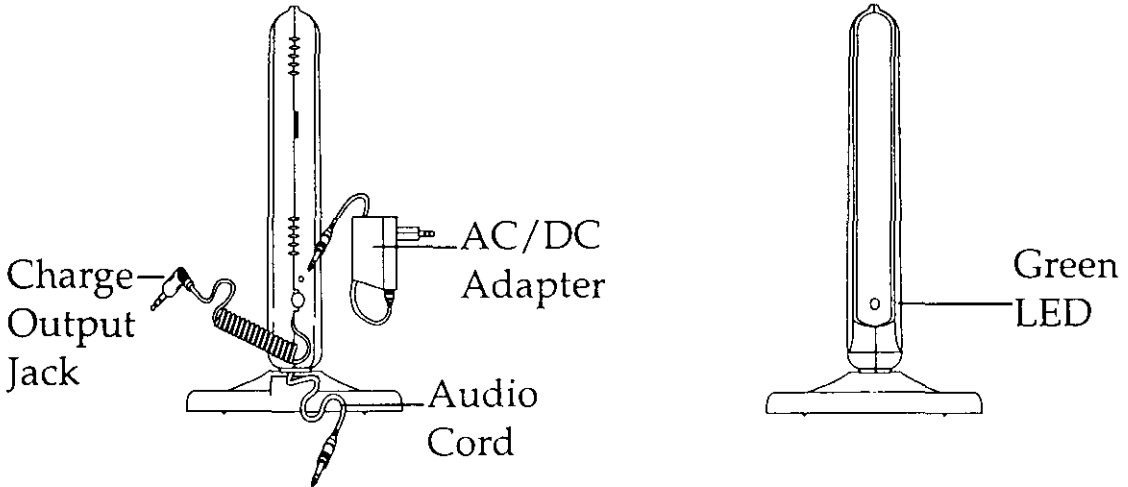


HEADPHONE RECEIVER



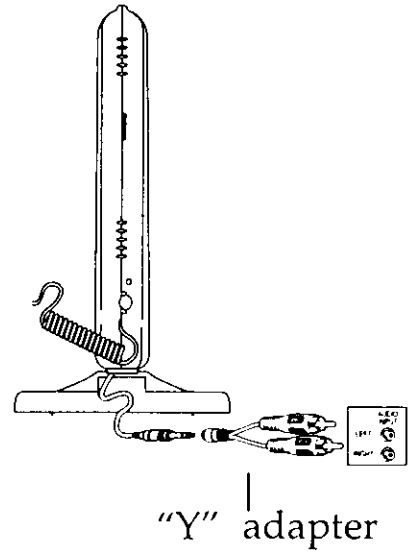
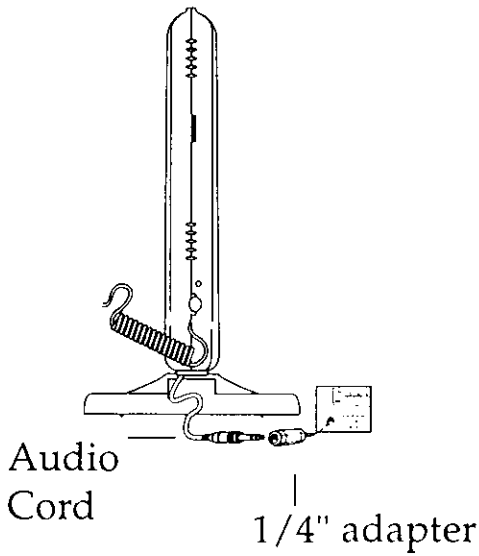
INSTALLATION OF TRANSMITTER

- 1) Connect the supplied AC power adapter to an electrical wall outlet.
- 2) Plug the AC power Adapter into the DC jack located on the rear of the transmitter.



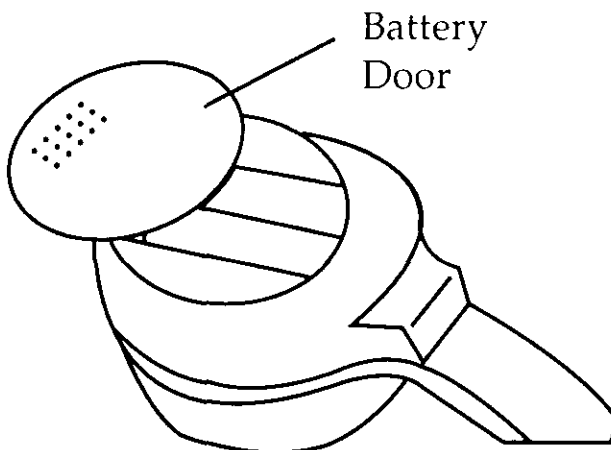
- 3) Locate the audio cord connected at the back of the transmitter. The 3.5 mm plug provided can be used to connect the transmitter to the headphone jack of any audio source. If your equipment has a 1/4" size jack, use the adapter plug included with the headphone.

For connection to RCA type radio jacks located on the back of a TV, VCR or A/V receiver, use the "Y" adapter that is included. Just insert the mini plug on the audio cord into the jack on the adapter to convert the connector for this application. Then insert the red and white RCA plug ends into the equipment jacks marked "Audio Out" to make the audio source connection (see diagram).



INSTALLATION OF BATTERIES

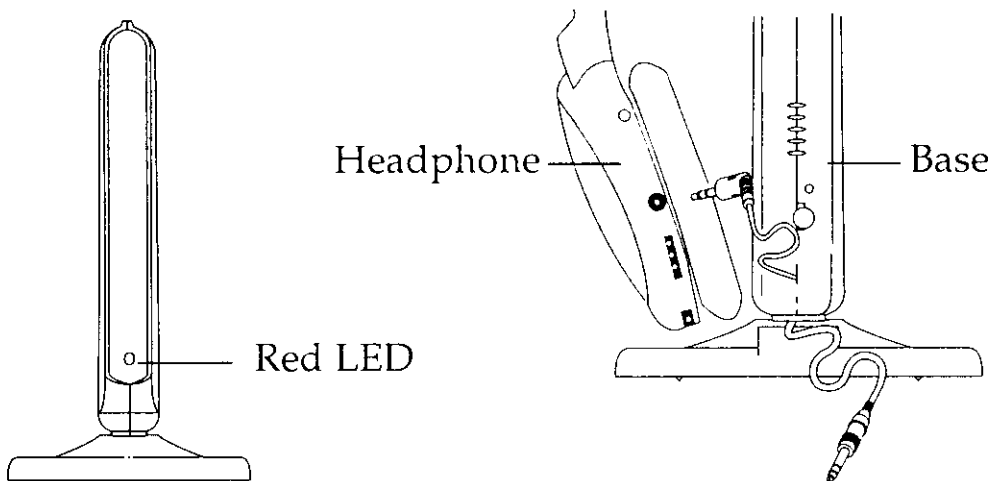
- 1) Open the battery compartment cover on the right side of the headphone.
- 2) Insert two AA size Ni-Cd rechargeable batteries with the correct polarity.
- 3) Replace the cover and you are ready to charge the batteries.



CHARGING THE BATTERIES

- 1) Switch the ON/OFF switch on the headphone receiver to OFF.
- 2) Plug the charge output plug, located on the back of the transmitter, into the charge input jack of the headphone receiver to charge the batteries.
- 3) The charging process starts automatically and the RED LED lights up indicating the unit is charging.
- 4) After the quick charge is completed, the quick charge indicator will be OFF; however, the trickle charge will continue.

Caution: Do not use other kinds of batteries to replace the Ni-Cd quick charge (AA) battery. When you are not using the headphone, please switch it off as the batteries can be damaged.



The Ni-Cd (nickel cadmium) batteries must be fully charged prior to operation. An initial charge of 24 hours is required to ensure the extended life of the Ni-Cd batteries. Be sure the headset is in the OFF position during charging status.

OPERATION

- 1) Turn on the audio source (TV or audio component) to which the transmitter is connected.
- 2) Switch the ON/OFF switch on the headphone to ON.
- 3) Place the headphones on your head and adjust the volume control to the desired listening level. The adjustable head-band lets you adjust the length of the headphones for a comfortable fit.
- 4) Tune the frequency adjustment control, located on the back of the transmitter, to a mid-level setting. Just rotate the thumb-wheel knob up or down and leave it set approximately in the middle of the range.
- 5) Adjust the tuning dial of the headphone to the frequency of the transmitter for best reception.

NOTE

You should now be able to walk freely from room to room without disruption. If disruption should occur (signal breaks up), adjust the headphones tuning control to maximize stereo reception.

If you hear interference from other components, re-adjust the tuning control. Move the control on the transmitter to a different setting, then adjust the control on the headphones to match the new setting. You may have to try a few locations to find one with no interference.

When transmitting/receiving over long distances, the signal from the system will become weaker and the stereo indicator light will go dim.

For protection of the transmitter and to save power, the transmitter will cut off automatically in about one minute when the input signal from the audio source is too weak for operation. If the signal is restored, the transmitter will work again automatically.

TROUBLE SHOOTING

No Sound

Ensure the AC adapter is fully inserted into the AC outlet and into the power connection input on the transmitter.

Ensure the headphones ON/OFF switch is in the ON position.

Headphone batteries may be too low. Charge batteries.

Ensure the TV or audio component is on and tuned to a channel with audio.

Adjust the volume control on the headphone to turn up the volume.

The connected audio/video equipment is not playing (CD, Tape, etc...). Check the audio source.

The volume of headphone is turned down, adjust the volume to an appropriate level.

Distortion

Ensure the stereo indicator light is on. If not, adjust the tuning control on the headphones until the indicator light is on.

Change the position of the **FREQ. ADJUST** control to change operating frequency. You must then adjust the tuning control on the headphone until the stereo indicator light is on.

Headphone batteries may be too low. Charge the batteries or replace with new ones if they do not charge.

Ensure the level control wheel is adjusted properly.

The headphone is too far from transmitter, move closer.

The input level of the audio signal is too low. Turn up the volume of the audio source equipment.

SPECIFICATIONS

Transmission Mode:	UHF Stereo
Carrier Frequency	911.5 - 913.5 MHz
Operating Voltage	Transmitter, 19V200mA Receiver, 2.4V (2xAA Ni-Cd Quick Charge Battery)
Frequency Response	20Hz - 20 KHz
Signal Noise Ratio	55 dB
Distortion	1.5%
Separation	30dB
Operation Distance	50M

NOTE: Changes or modifications not expressly approved by the party responsible for compliance to the FCC Rules could void the users authority to operate this equipment

RCA ACCESSORIES

The following RCA accessories are available through your RCA dealer or:

ORDER BY PHONE:

Have your Visa, MasterCard or Discover Card ready and call the toll-free number listed below. This number should only be used to place orders.

1-800-338-0376

ORDER BY MAIL:

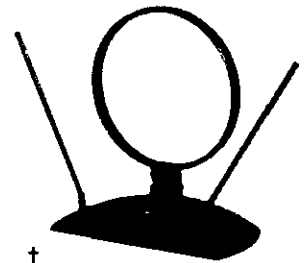
Complete order form on page 11 and mail to:
RCA Accessories
PO Box 8419
Ronks, PA 17573

ANT200 AMPLIFIED TV ANTENNA

To receive UHF or VHF stations or serve as a backup for cable outages, purchase the RCA ANT200. Switching between your cable or satellite and your antenna is made easy with an integrated A/B switch. Hooks up to any TV and includes all necessary accessories.

Features include:

- Dipoles tilt and rotate for improved picture
- UHF Loop turn range of 345°
- Gold plated connectors for improved signal conductivity
- Manual Gain Control to Boost Signal
- Measures 8½ H. X 8½ W. X 4½ D.



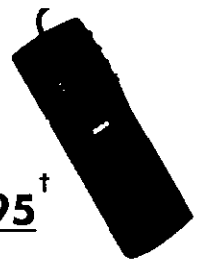
ANT200
\$49⁹⁵[†]

D918 Surge Protector Plus

Power surges can enter and destroy your valuable equipment from many sources - cable, phone lines, satellite dishes or electrical connections. Guard your vulnerable home theatre equipment against potential damage from power surges or other electrical disturbances.

Features include:

- 3-Way Surge Protection
- 8 Outlets plus Coaxial, Phone & AC Line
- \$10,000 Equipment Guarantee
- Lifetime Warranty



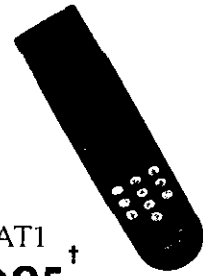
D918
\$49⁹⁵[†]

RCUSAT1 UNIVERSAL REMOTE

Universal Remote
 Controls 4 Devices, TV, VCR, Satellite or
 Cable Box, and Audio System

Features include:

- Universal DSS and DBS Compatibility
- Menu and Guide Controls
- Picture-In-Picture Controls
- Code Search For Easy Programming



RCUSAT1
\$29⁹⁵[†]

Name

Address

City *State* *Zip*

Day Time Phone Number

Money Order Enclosed Check Enclosed

Credit Card: Visa MasterCard Discover

Card Number

□ □ □ □ - □ □ □ □ - □ □ □ □ - □ □ □ □

Expires: ___ / ___ / ___

Signature

ITEM	PRICE	QTY	TOTAL
ANT200 Amplified TV Antenna	\$49.95		
D918 Surge Protector	\$49.95		
RCUSAT1 Universal Satellite Remote	\$29.95		
Add Applicable Sales Tax			
Include Post & Handling			\$5.00
Total Amount of Order			

† Tax, Shipping & Handling, Charges Apply © 1997 Thomson Consumer Electronics, Inc.
 Trademark(s) © Registered Marca(s) Registrada(s)

ONE YEAR LIMITED WARRANTY

Thomson Consumer Electronics, Inc. warrants that for one year from the date of purchase this product is free from defects in material and workmanship. If the item is defective within that period, return it at your expense to the dealer from whom it was purchased together with proof of purchase for replacement. The exchange unit is under warranty for the remainder of the original product's warranty period. This warranty excludes defects or damage due to misuse, abuse, neglect or acts of God, including but not limited to lightning damage. The foregoing represents Thomson's sole obligation under this warranty.

This warranty gives you specific legal rights, and you may have other rights which vary from state to state. For purchases outside the United States, contact your dealer for warranty information.

©Thomson Consumer Electronics, Inc.
Product Exchange Center
32B Spur Drive
El Paso, Texas 79906
1J1500
Trademark(s) ® Registered
Marca(s) Registrada(s)